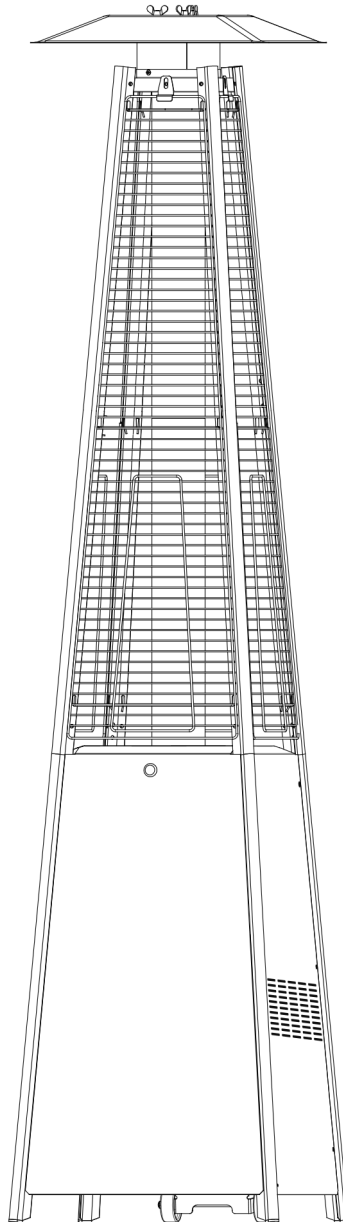




Dellonda Freestanding Gas Pyramid Patio Heater Outdoor Garden Glass Tube 13kW



Model No. DG98, DG99

Thank you for purchasing a Dellonda product. Manufactured to a high standard, this product will, if used according to these instructions, and properly maintained, give you years of trouble free performance.

Important Information

Please read these instructions carefully. Note the safe operational requirements, warnings & cautions. Use the product correctly and with care for the purpose for which it is intended. Failure to do so may cause damage and/or personal injury and will invalidate the warranty. Keep these instructions safe for future use.

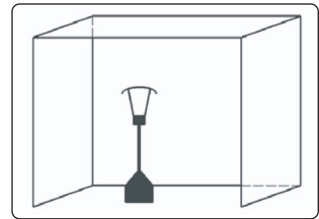


Refer to
instruction
manual



Wear protective
gloves

fig.1



Specification label

		Model No. DG98
SPECIFICATION		
Appliance Category:	I3 + (28-30/37)	
Gas Type:	Propane	
Gas Pressure:	37mbar	
Outlet Pressure Regulator:	37mbar	
Total Heat Input:	13kw (928g/hr)	
Country of Destination:	AT, BE, BG, HR, CY, CZ, DK, EE, FI, FR, DE, GR, HU, IS, IE, IT, LV, LI, LT, LU, MT, NO, PL, PT, RO, SK, SI, ES, SE, CH, TR, GB, NL	
Nett Weight:	26.0kg	
		2575
S/N:	www.dellonda.co.uk	

		Model No. DG99
SPECIFICATION		
Appliance Category:	I3 + (28-30/37)	
Gas Type:	Propane	
Gas Pressure:	37mbar	
Outlet Pressure Regulator:	37mbar	
Total Heat Input:	13kw (928g/hr)	
Country of Destination:	AT, BE, BG, HR, CY, CZ, DK, EE, FI, FR, DE, GR, HU, IS, IE, IT, LV, LI, LT, LU, MT, NO, PL, PT, RO, SK, SI, ES, SE, CH, TR, GB, NL	
Nett Weight:	26.0kg	
		2575
S/N:	www.dellonda.co.uk	

About the Product

This contemporary freestanding patio heater produces a pleasant, heated working /relaxing environment and is ideal for both commercial and domestic settings including open workshops, boat yards, patios, forecourts, gardens and terraces. Standing at 2.27m tall, when lit the heater produces a real flame encompassed by a glass tube which heats the surrounding area, a metal reflector makes sure heat is directed downwards and outwards. Variable heat output controls make it fully adjustable and the unit features a fully enclosed gas cylinder chamber and safety tip-over switch. Available in black or stainless steel and is supplied with regulator and hose assembly for use with propane patio gas bottles. This product should only be used in a well ventilated area. Batteries not included.

Specification

Model	DG98	DG99
Fuel Consumption:	945g/hr	945g/hr
Fuel:	Propane	Propane
Heated Area:	8m ²	8m ²
Output:	13kW	13kW
Product Dimensions (W x H):	520 x 2270mm	520 x 2270mm
Maximum Gas Bottle Size (W x H):	Ø320 x 700mm	Ø320 x 700mm

Safety Instructions

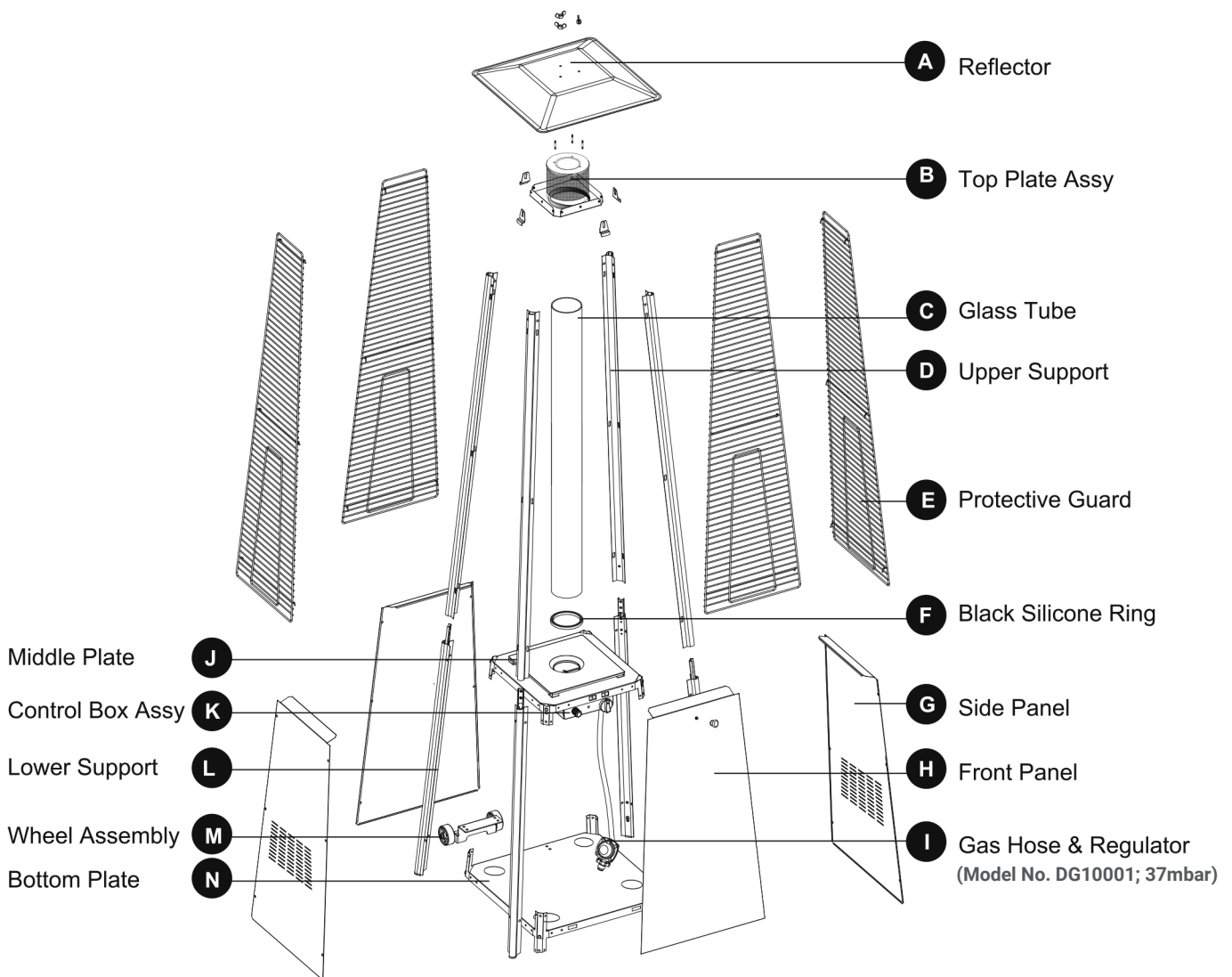
- Read the installation, operating and maintenance instructions thoroughly before installing or using this equipment.
- If there is a smell of gas: shut off the gas to the appliance, extinguish any open flames. If odour continues contact gas supplier.
- **DO NOT** store or use petrol or other flammable substances inside the housing of the heater.
- **DO NOT** store or use petrol or other flammable liquids or gases in the vicinity of the heater.
- **DO NOT** store a gas cylinder that is not connected for use in the vicinity of this or any other appliance.
- **WARNING! DO NOT** use indoors. For use outdoors or in amply ventilated areas.
- An amply ventilated area is one that has a minimum of 25% of the surface area open, see fig.1. (The surface area is the sum of the wall surface.)
- **WARNING!** Not intended to be installed in recreational vehicles and/or boats.
- **WARNING!** Improper installation, adjustment, alteration, service or maintenance can cause injury or property damage.
- Installation and repair must be carried out by a qualified person.
- **DO NOT** attempt to alter in any way.
- This product must be installed and the gas cylinder stored in accordance with the local regulations in force.
- **DO NOT** obstruct the ventilation holes of the cylinder housing.
- **DO NOT** move/transport the appliance when in operation. Shut off the gas cylinder at the regulator before moving.
- **DO NOT** move/transport the heater until it has cooled down.
- Use only the type of gas and the type of cylinder specified by the manufacturer.
- The LP cylinder used with the patio heater must meet the following size requirements: Diameter 31.8cm x height 58cm, 15kg maximum capacity.
- In case of violent wind precautions must be taken against tilting of the appliance.
- Only use on level ground, capable of supporting the weight of the heater and the gas cylinder.
- **DO NOT** connect the gas cylinder directly to the appliance without a regulator. Use only the type of gas specified in the instructions.
- The whole gas system (hose, regulator, pilot or burner) should be inspected for leaks or damage before use and at least annually, by a suitably qualified person.
- All leak testing should be done with an appropriate gas leak detection/soap solution. Never use an open flame to check for leaks.
- **DO NOT** use the heater until all connections have been leak tested.

- Turn off the gas immediately if a gas smell is detected. Turn cylinder valve **OFF**. If the leak is at the hose/regulator connection tighten the connection and perform another leak test. If bubbles continue appearing contact your supplier. If the leak is at the regulator/cylinder connection disconnect from cylinder, reconnect and perform another leak check. If soap bubbles are still seen, cylinder valve is defective. Return cylinder to its place of purchase.
- Keep the ventilation opening of the cylinder enclosure free and clear of debris.
- **DO NOT** paint the radiant screen, control panel or top canopy reflector.
- Control compartment, burner and circulation air passageways of the heater must be kept clean.
- Turn off gas whilst not in use.
- **LP** regulator/hose assembly must be a protected from accidental damage.
- Any guard removed for servicing/maintenance must be replaced before operation.
- Keeps adults and children away from the high temperature surfaces, to avoid burns and ignition of clothing.
- Children should be carefully supervised when they are in the vicinity of the heater.
- **DO NOT** hang clothing or other flammable materials on the heater or place them near the heater.

Heater Stand and Location

- The heater is primarily for outdoor use only. Always ensure that adequate fresh air ventilation is provided.
- Always maintain proper clearance to non protected combustible materials i.e. top 100 cm and sides 100 cm minimum.
- Heater must be placed on level firm ground.
- Never operate heater in an explosive atmosphere like in areas where gasoline or other flammable liquids or vapours are stored.
- To protect heater from strong wind, anchor the base securely to the ground with screws.
- **Gas Requirements**
- This heater is primarily designed to be used with propane gas.
- Butane gas may also be used with the appropriate regulator however butane freezes at zero degrees so will not be ideal to be used during cold temperatures.
- A dented, rusted or damaged cylinder may be hazardous and should be checked by your gas supplier before being used with this heater.
- Never connect an unregulated cylinder to the heater.

Contents

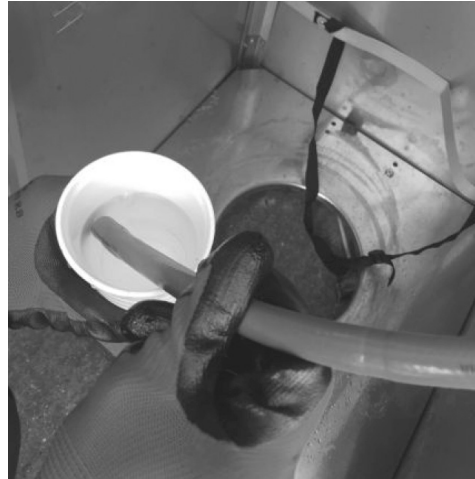


Assembly

- It is recommended that you connect the gas regulator hose to the regulator and the control unit (K) prior to assembling the unit, be careful not to damage or dislodge components in the control unit (K).

To assist connecting the regulator, carefully place the rubber hose into an insulated cup of boiling hot water (Fig.1). This allows the rubber hose to expand, ensure the hose clip is slid over the hose and then push the open hose end fully onto the gas regulator inlet.

Fig. 1



After connecting the regulator, slide the hose clip back to near the end of the hose and tighten with a screwdriver (Fig.2).

NOTE: Ensure you leak test this joint as directed on Page 9 after assembly is complete and when you first connect the gas bottle.

Fig. 2



Now connect the open hose end to the control unit (K) again carefully place the rubber hose end into an insulated cup of boiling hot water (Fig.1). This allows the rubber hose to expand, ensure the hose clip is slid over the hose and then push the open hose end fully onto the gas inlet on the control unit as shown in Fig. 3.

Fig. 3



After connecting the hose into the control unit (K) slide the hose clip back to near the end of the hose and tighten with a screwdriver (Fig.2).

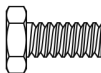

NOTE: Ensure you leak test this joint as directed on Page 9 after assembly is complete and when you first connect the gas bottle.

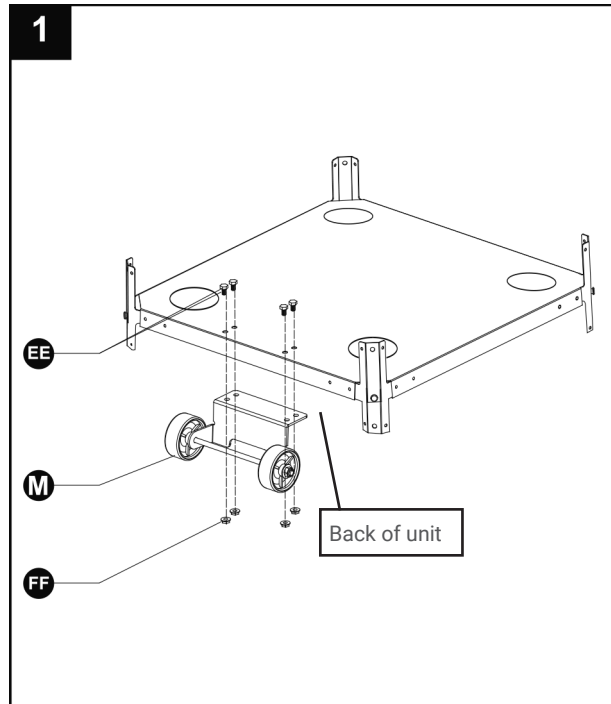
Fig. 4



- 1. Assemble the wheel assembly (M) to the bottom plate (N). Fix the wheel assembly (M) to the bottom plate (N) using 4pcs bolt M8x12 (EE) and 4pcs flange nut M8 (FF).

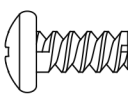
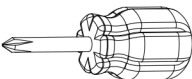
Hardware Used

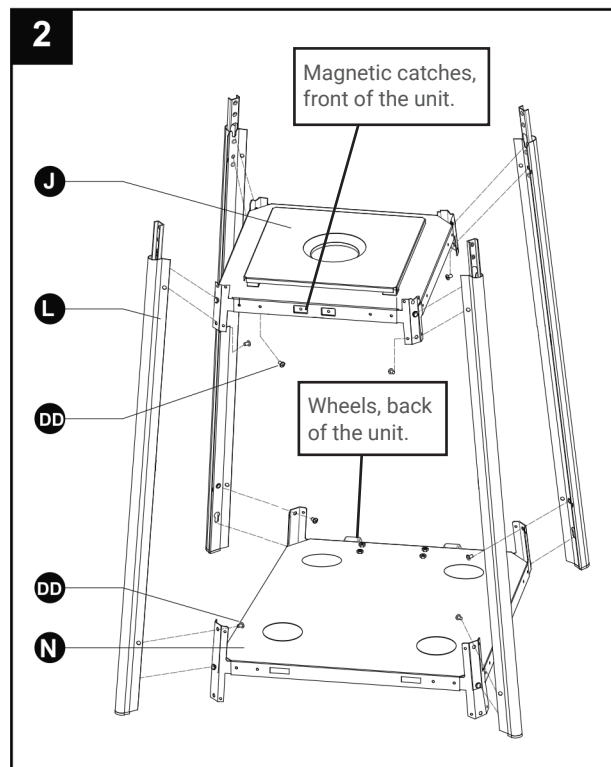
EE	Bolt M8 X 12		x 4
FF	M8 nut		x 4



- 2. Insert the pins of the bottom plate (N) to the holes of lower support (L), press to secure the pins. Using 12pcs screw 3/16" (DD) to secure the lower support (L) and bottom plate (N). Using 8pcs screw 3/16" (DD) to secure the lower support (L) and middle plate (J).

Hardware Used

DD	3/16" Screw		x 20
HH	Philips screwdriver		x 1

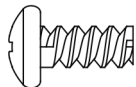
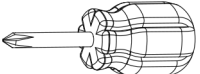


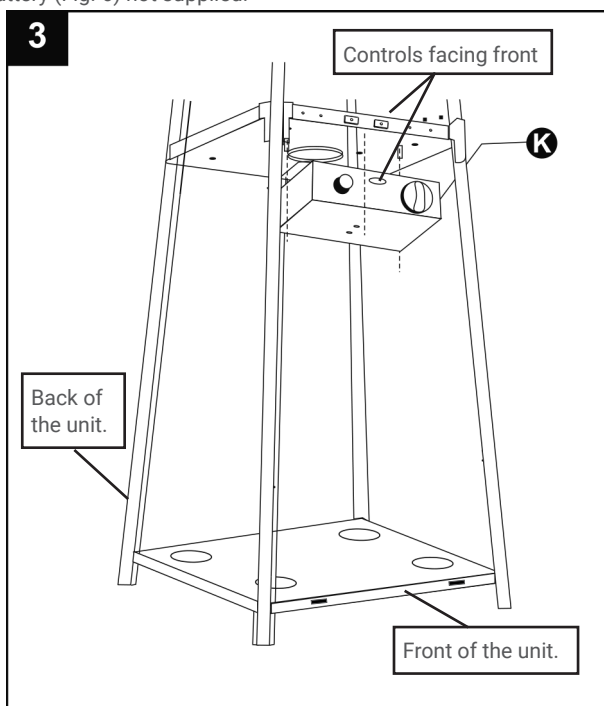
NOTE:

It is vital at this stage to ensure that the bottom plate (N) and the middle plate (J) are assembled correctly. The wheels on the bottom plate (N) are the back of the unit and the magnetic catches on the middle plate (J) for the door are on the front of the unit, these parts must be on OPPOSITE sides of the unit. This must be correct at this stage to ensure the unit operates correctly.

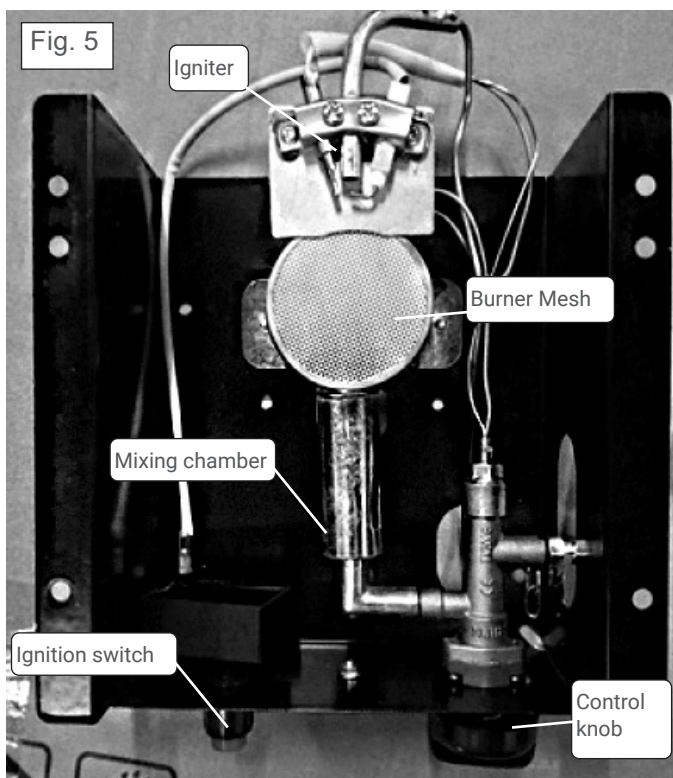
3. Fix the Control Box Assembly (K) to the Middle Plate (J) using 4pcs screw 3/16" (DD)'.
 • Additional Note : Unscrew the red ignition button and insert an AAA Battery (Fig. 6) not supplied.

Hardware Used

- | | | | |
|-----------|---------------------|---|-----|
| DD | 3/16" Screw |  | x 4 |
| | Philips screwdriver |  | x 1 |

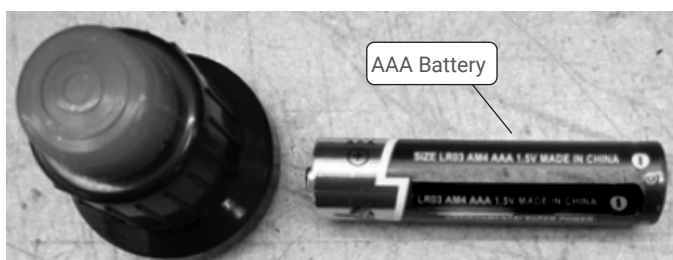


- The ignition switch must have a AAA battery inserted into it, Unscrew the collar of the switch and insert a battery then re screw the switch head into place (Fig.6).



- **Note:** Once the lower section is assembled you should be able to see the gas burner mesh gauze sitting in the centre of the hole in the middle plate (J) if not *STOP* and re-trace your steps to ensure the assembly is progressing correctly.

Fig. 6



- Unscrew the button collar until it comes away from the unit. (Fig. 6.1).



Fig. 6.1

- Slide in a AAA battery and re-screw the button into position. (Fig. 6.2).



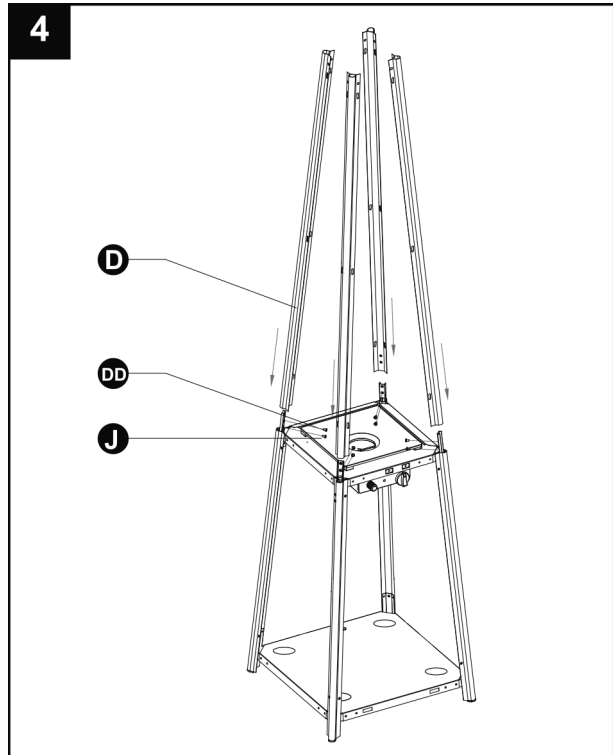
Fig. 6.2

- 4. Assemble the upper supports (D). Insert the 4pcs of upper support (D) to the middle plate (J). Secure them with 16pcs screw 3/16" (DD)

Hardware Used

DD 3/16" Screw  x 16

HH Philips screwdriver  x 1

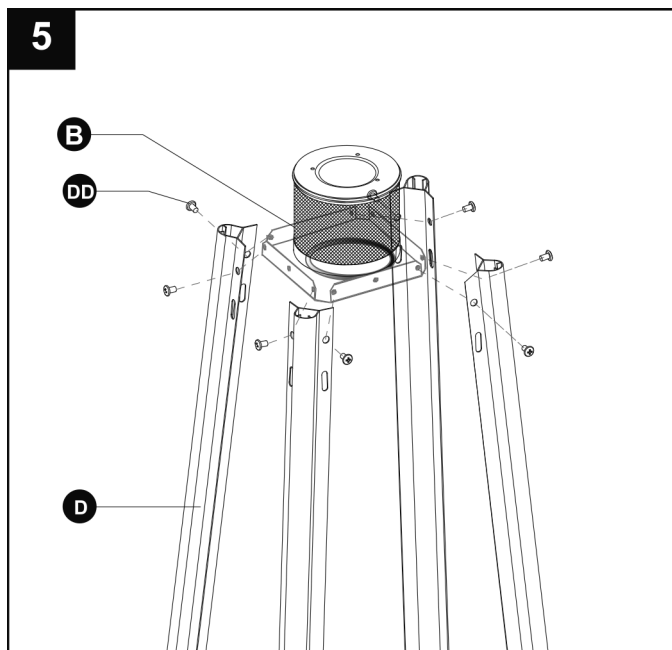


- 5. Assemble the top plate assy (B) to the upper supports (D). Secure the top plate assy (B) to the upper supports (D) using 8pcs screw 3/16" (DD)

Hardware Used

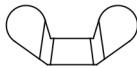
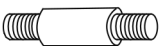
DD 3/16" Screw  x 8

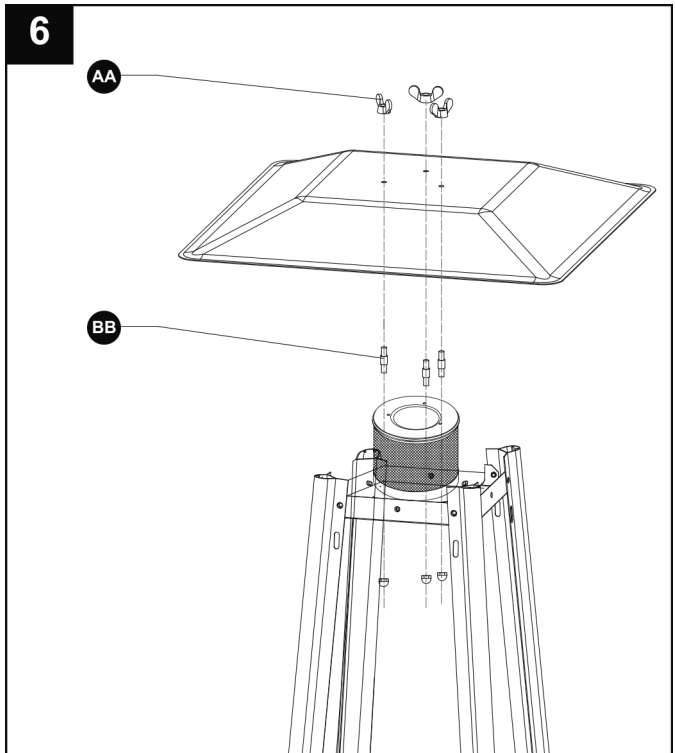
HH Philips screwdriver  x 1



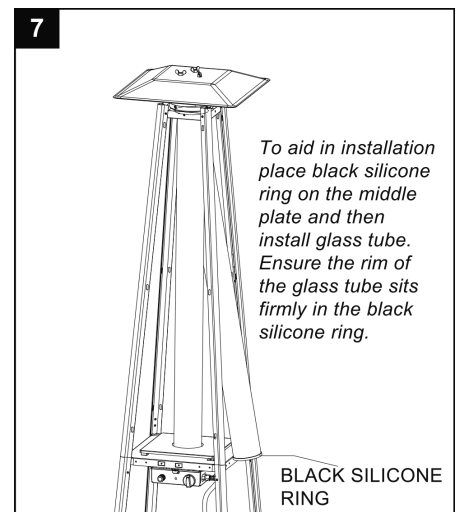
- 6. Assemble the reflector (A) onto the top plate assy (B). Screw the 3 studs (BB) on the top plate assy (B), then put the reflector (A) onto the studs (BB), secure them with 3pcs wing nuts (AA).

Hardware Used

AA	Wing nut		x 3
BB	Stud		x 3


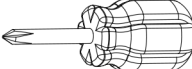



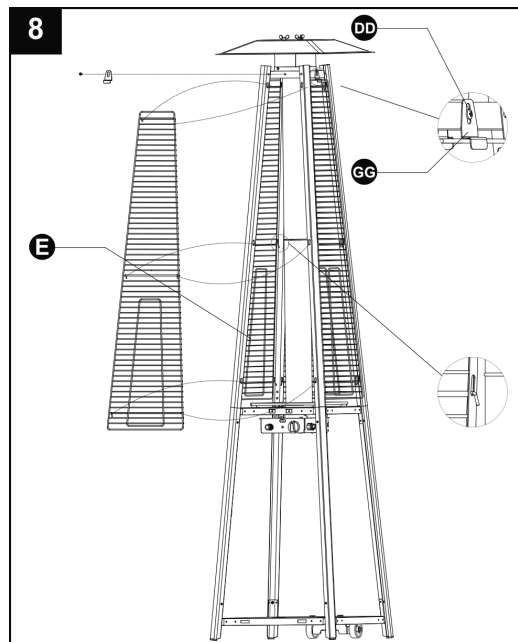
- 7. Carefully install the glass tube (C) by lifting up and inserting through the centre hole in the top plate (B). Ensure the black silicone ring (F) is attached to the lower edge of the glass tube (C) as illustrated. Slide the glass tube (C) through the hole of the lower plate cover and onto the middle plate (J). Check and ensure that the glass tube (C) is positioned properly and is completely covering the centre hole of the middle plate (J).
- WARNING!** The black silicone ring must be in place prior to operating the heater.



- 8. Assemble the protective guard (E). Line up the hooks on the protective guard (E) into the holes in supports. Secure the protective guards (E) with fixing brackets (GG) using 4pcs 3/16" screws (DD).


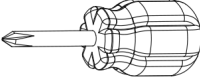
Hardware Used

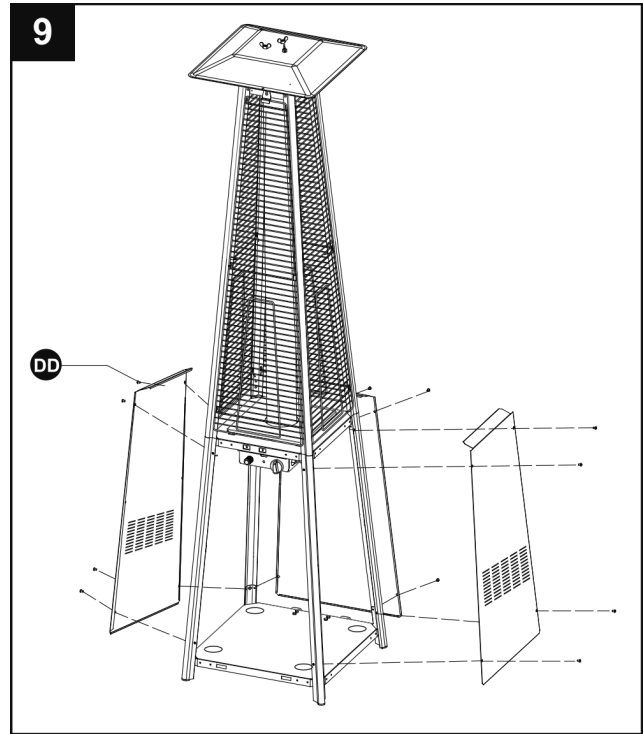
DD	3/16" Screw		x 4
HH	Philips screwdriver		x 1
GG	Fixing Bracket		x 4



- 9. Attach the three side panels (G) to the heater using 12pcs screw 3/16" (DD) **Note: Do not cover the front side where the control knob is.**


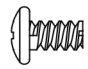

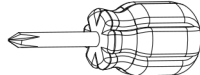
Hardware Used

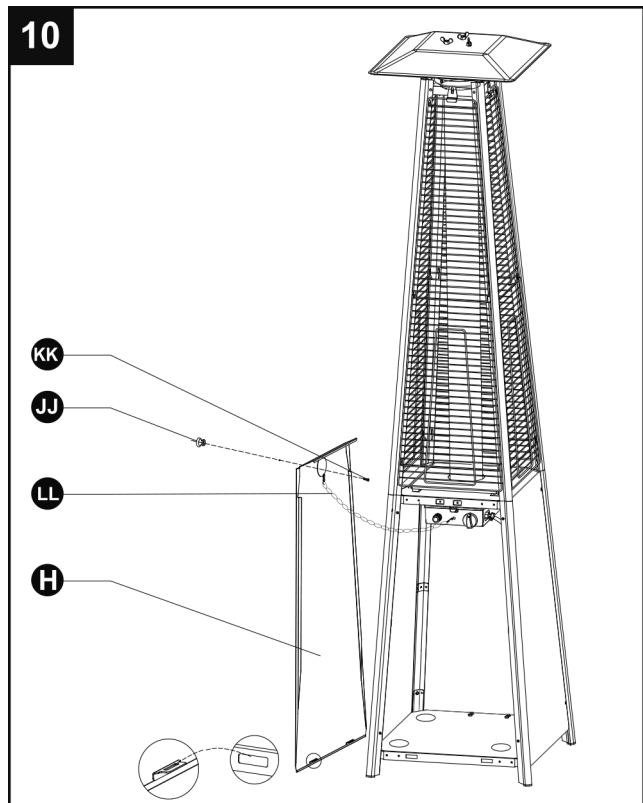
- **DD** 3/16" Screw  x 12
- **HH** Philips screwdriver  x 1



- 10. Install the knob to M4x 10 screw (KK). Hang the chain (LL) to the hole on the control box assy (K) and put the pothook of front panel (H) to the holes of bottom plate (N).

Hardware Used

- **JJ** Knob  x 1
- **KK** Screw M4 X 10  x 1
- **LL** Chain  x 1
- **HH** Philips screwdriver  x 1



Leak Test

- Gas hose connections on the heater must be tested as well as the regulator connection to the gas bottle on completion of assembly and when first connected to the gas bottle.
- Leak testing: Do not smoke while performing this test, and remove all sources of ignition.
- A full gas cylinder is required. This test must be done before initial use, annually and whenever any gas Components are replaced or serviced.
- 1. Mix a solution of water and washing up liquid, then pour onto the connection between the joints and connections of the regulator, hose, manifolds and valves. Turn all burner controls to the off position. Turn the gas regulator **ON**.
 - If no bubbles are present - This indicates the connection is leak safe.
 - If bubbles are present - Tighten the hose clip further and retest for leaks
 - If bubbles continue to appear - please contact your gas supplier or heater distributor
- 2. If the leak cannot be stopped, immediately shut off the gas supply and disconnect it.
- 3. Do not use the patio heater until the leak has been corrected.

Regulator and Hose

- Only use regulators and hose approved for **LPG** at the above pressures. The life expectancy of the regulator is estimated as 10 years. It is recommended that the regulator is changed within 10 years of the date of manufacture.
- The use of the wrong regulator or hose is unsafe; always check that you have the correct items before operating the heater.
- The hose used must conform to the relevant standard for the country of use. The length of the hose must be 1.5 meters (maximum).

OPERATION AND STORAGE

- **TO TURN THE HEATER ON**
- **WARNING:** Please ensure the glass tube has not been damaged before operation
- 1. Ensure the variable control knob is at the **OFF** position.
- 2. Connect the gas regulator to a compatible gas cylinder.
- 3. Push and turn the variable control knob to the "Pilot " position and hold for 60 seconds. Whilst still holding the control knob down, press the ignition button. A pilot flame should appear.
- 4. Once the blue pilot flame stays alight constantly, let go of the variable knob.
- 5. Turn the variable control knob to the desired temperature position -Lo to Hi.
- **IMPORTANT NOTE** When lighting the heater for the first time or a new cylinder is connected, the air inside the hose must be purged. This process will take a few minutes as liquefied petroleum gas is heavier than air.
- As a result the variable control knob should be pressed down at the Pilot position for 3 Minutes instead of the normal 60 second period.
- This ensures the gas purges the air in the hose and passes from the cylinder through to the main burner.
- **TO TURN THE HEATER OFF**
- 1. Turn the variable control to the **PILOT** position.
- 2. Push and turn the variable control knob to the **OFF** position.
- 3. Turn the regulator connected to the gas cylinder to the **OFF** position.
- **STORAGE**
- Always turn the regulator connected to gas cylinder **OFF** after use.
- Disconnect the regulator from the cylinder if the heater is not in use.
- Never store the gas cylinder indoors or without adequate air ventilation.

Maintenance

- **CLEANING AND CARE**
- Wipe off surfaces with soft, moist cloth. Do not clean the heater with cleaning products that are combustible or corrosive.
- Remove debris and insects from the burner periodically to keep it clean and safe for use.
- Cover the burner unit with the optional protective cover when the heater is not in use.

Troubleshooting

Problem	Probable Cause	Suggested Solution
Pilot will not light	Gas regulator may be OFF Gas cylinder empty Opening blocked Air in supply system Loose connections	Turn the regulator ON Replace with full cylinder Clean or replace opening Purge air from lines Check all fittings
Pilot will not stay on	Debris around pilot Loose connections Thermocouple faulty Anti tilt switch loose/faulty Gas leak in line Lack of fuel pressure	Clean dirty area Tighten connections Replace thermocouple Reconnect/replace anti tilt switch Check connections Tank near empty. Refill LPG tank.
Burner will not light	Pressure is low Opening blocked Control not ON Thermocouple faulty Pilot light assembly bent Not in correct location	Cylinder is almost empty. Replace with full cylinder Remove and clean Turn valve to ON Replace thermocouple Place pilot properly Position properly and retry

Environment Protection and Waste Protection and Electrical Equipment Regulations (WEEE)

Recycle unwanted packaging materials. When this product is no longer required, or has reached the end of its useful life, please dispose of it in an environmentally friendly way. Drain any fluids (if applicable) into approved containers, in accordance with local waste regulations. It is our policy to continually improve products and we reserve the right to alter data, specifications and parts without prior notice. No liability is accepted for incorrect use of this product. Guarantee is 12 months from purchase date, proof of which is required for any claim.